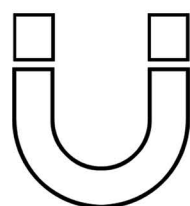


**AREND**  
Investing in light



MAGNETAR  
PRODUCTS

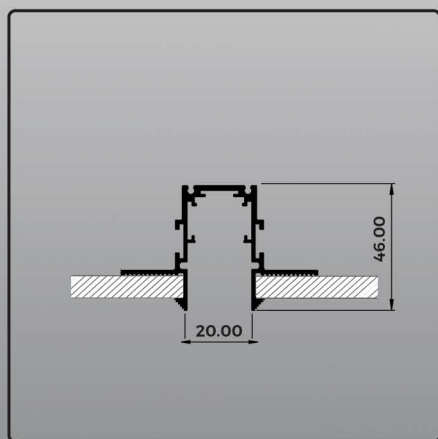
Brochure WINTER

# 3

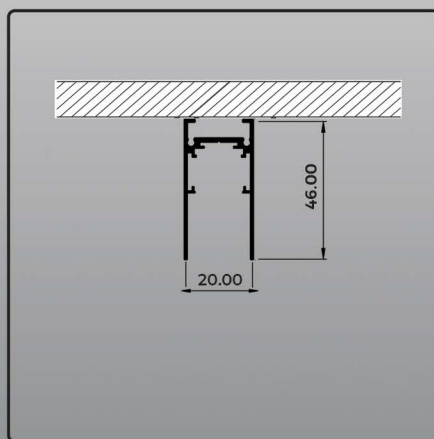
TYPES  
INSTALLATION



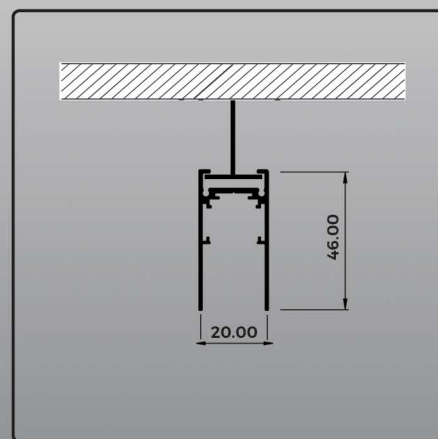
# 2 cm Rail **NEW**



● RECESSED

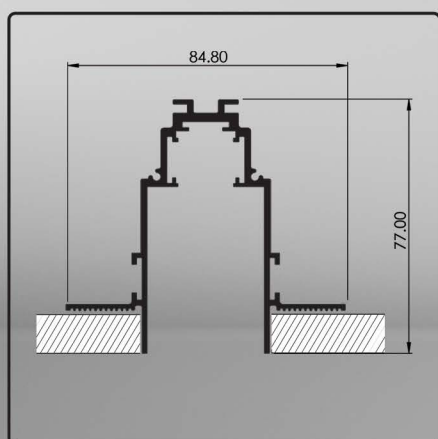


● SURFACE

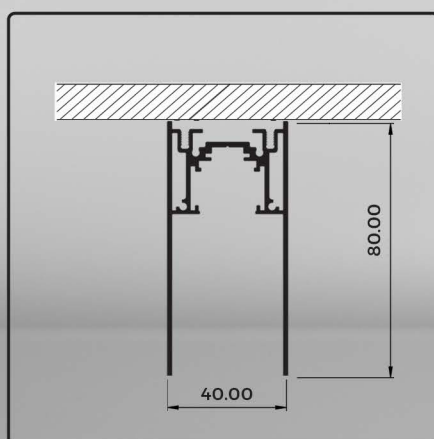


● PENDANT

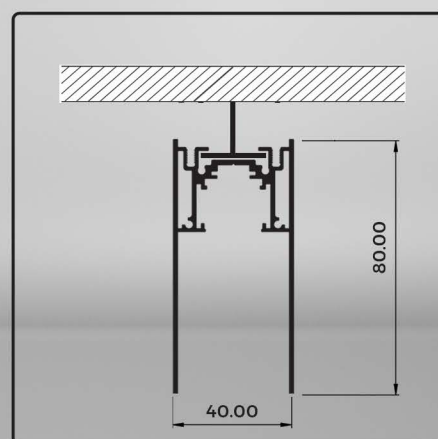
# 4 cm Rail



● RECESSED



● SURFACE



● PENDANT

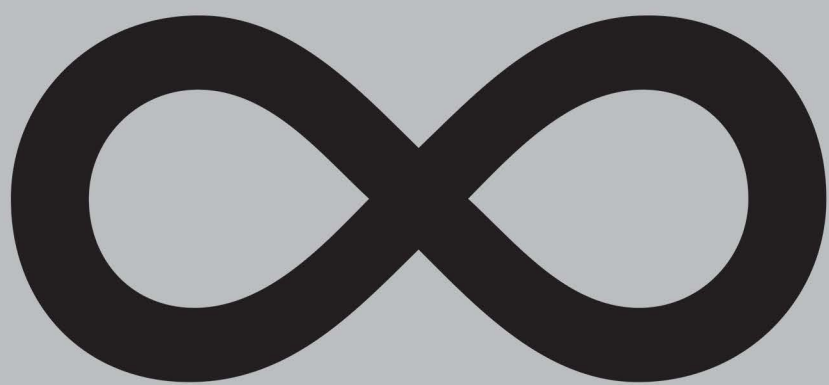
# 48V Connection



It is completely safe to touch and use because of 48 volt low voltage system.



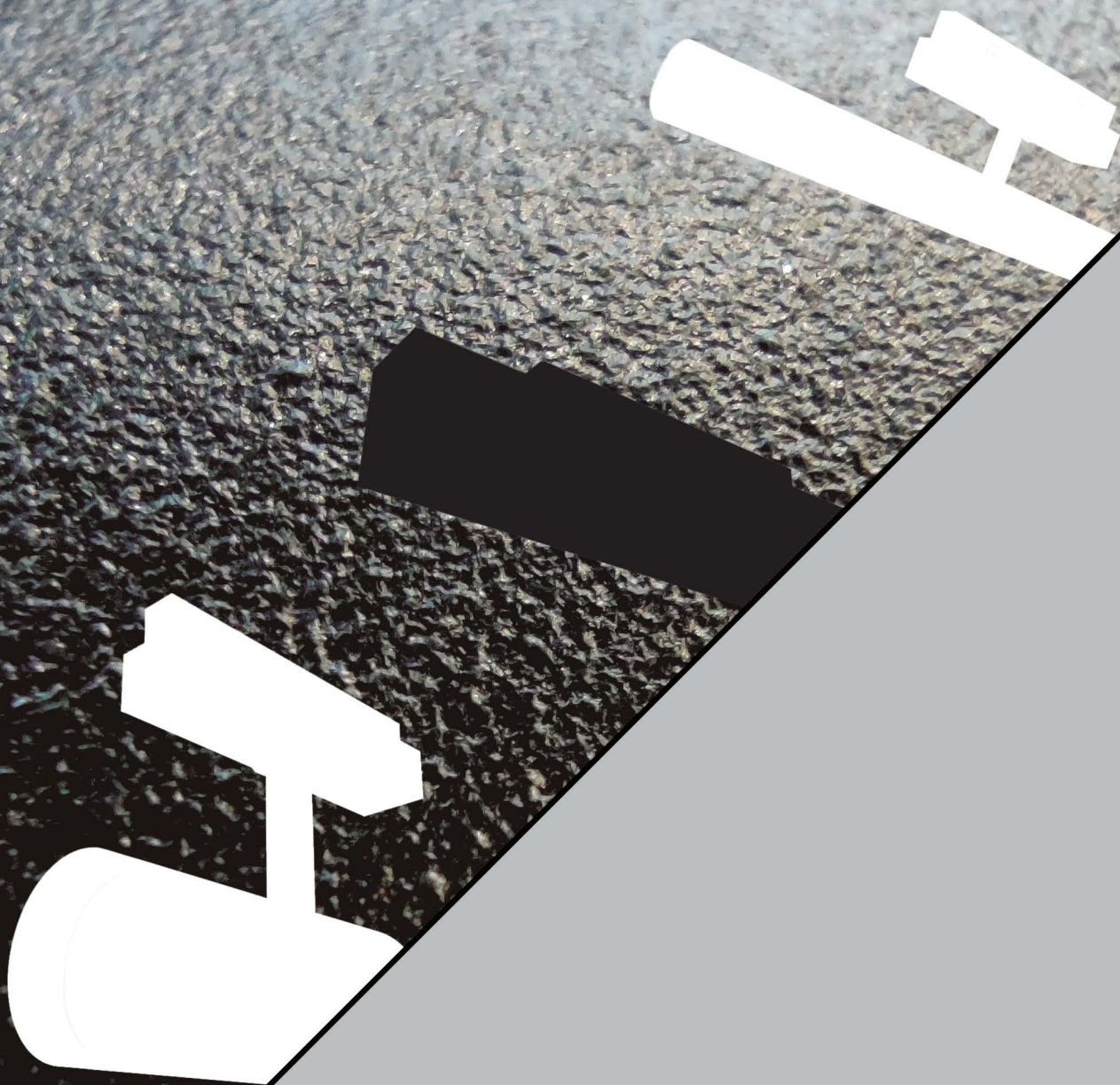




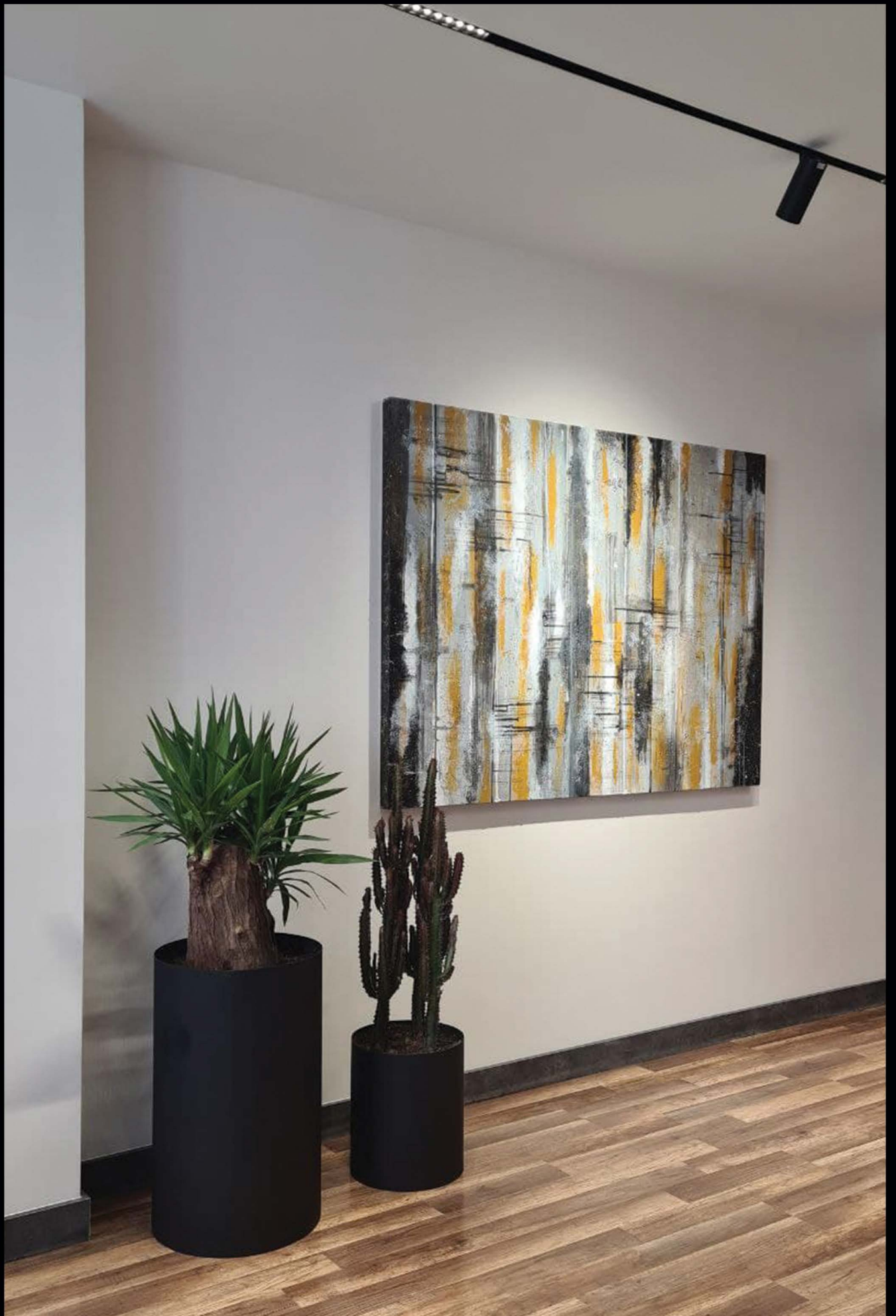
Variety of  
**LIGHT**

---

**Options**



Magnetic profile with the aluminum housing provides various options to design on one profile and "No tools are required".







# Magnetar SPOT



Available For  
**< 4cm/2cm Rail >**

This led module is a perfect choice to lay emphasise on lighting in your space. Body material is extruded aluminium and diffuser is PMMA and beam angle is 42°.

LED\_Low voltage family

IP44

IK05

T<sub>a</sub>25

5





**Rotate**

**Move**

**Change**

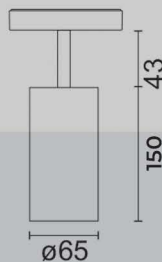
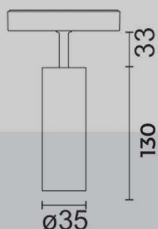
All LED modules can be easily detached, move and some of it can rotate by any angles.



**4cm Rail**

Ø 35mm

Ø 65 mm



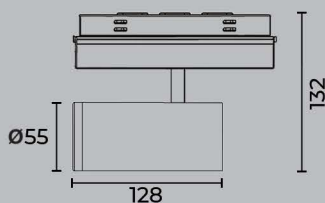
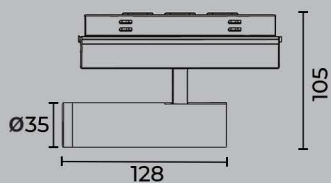
Dimensions: Ø35 x 130 mm  
 Total power: 3 w  
 Luminaire luminous flux: 330 lm  
 Luminaire efficacy: 110 lm/w

Dimensions: Ø65 x 150 mm  
 Total power: 15 w  
 Luminaire luminous flux: 1650 lm  
 Luminaire efficacy: 110 lm/w

**NEW** **2cm Rail**

Ø 35mm

Ø 55mm

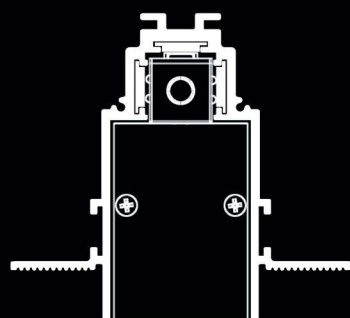


Dimensions: Ø35 x 128 mm  
 Total power: 3 w  
 Luminaire luminous flux: 330 lm  
 Luminaire efficacy: 110 lm/w

Dimensions: Ø55 x 128 mm  
 Total power: 15 w  
 Luminaire luminous flux: 330 lm  
 Luminaire efficacy: 110 lm/w



In Rail Position



Module Length



400 Mm



600 Mm



800 Mm



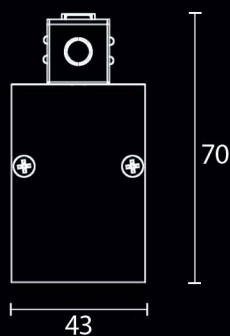
1000 Mm



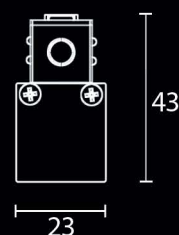
# Magnetar LINEAR



Available For  
**< 4cm/2cm Rail >**



Dimensions: 400 x 35 x 50 mm  
 Total power: 12 w  
 Luminaire efficacy: 100 lm/w  
 Colour temperature: 3000-6000 k  
 Color body: Black  
 IP44  
 LED: OSRAM



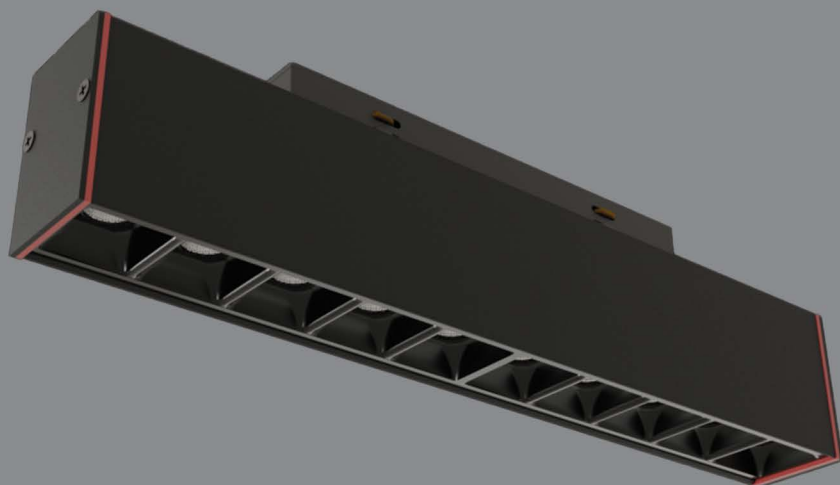
**NEW**

Dimensions: 400 x 23 x 43 mm  
 Total power: 8 w  
 Luminaire efficacy: 100 lm/w  
 Colour temperature: 3000-6000 k  
 Color body: Black  
 IP44  
 LED: OSRAM

LED_Low voltage family	IP44	IK05			T <sub>a</sub> 25	5				
------------------------	------	------	--	--	-------------------	---	--	--	--	--



# Magnetar DOT LINEAR



Available For  
**< 4cm/2cm Rail >**

Dimensions: 520 x 35 x 50 mm  
 Total power: 24 w  
 Luminaire luminous flux: 2200 lm  
 Luminaire efficacy: 100 lm/w  
 Colour temperature: 3000-6000 K  
 Color body: Black  
 LED: OSRAM

## NEW

Dimensions: 320 x 23 x 43 mm  
 Total power: 12 w  
 Luminaire luminous flux: 1320 lm  
 Luminaire efficacy: 110 lm/w  
 Colour temperature: 3000-6000 K  
 Color body: Black  
 LED: OSRAM

LED\_Low voltage family

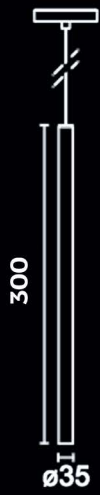
IP44

IK05

T<sub>a</sub>25

γ5





300

Ø35

Total Power: 3 W

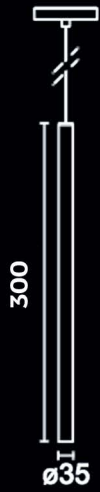


300

Ø65

Total Power: 15 W

**NEW**



300

Ø35

Total Power: 3 W

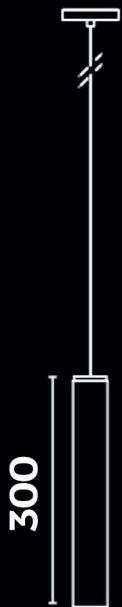


300

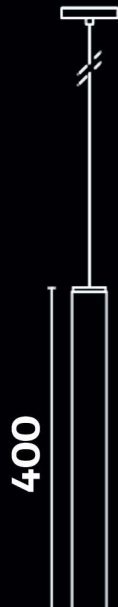
Ø55

Total Power: 15 W

## Customizable Length



300



400



600







Magnetar

# PENDANT



Available For  
**< 4cm/2cm Rail >**

Dimensions: 300 x Ø65 mm

Total power: 15 w

Luminaire luminous flux: 1650 lm

Luminaire efficacy: 110 lm/w

Color temperature: 3000-6000 k

Color body: White or Black (other color is custom)

IP44

LED: OSRAM

LED\_Low voltage family

IP44

IK05



T<sub>a</sub>25

5





Magnetar  
**DOT LINEAR**

Magnetar  
**SUSPENDED RAIL**

Lighting up your boutique or store has never been so easy



Magnetar  
**RECESSED RAIL**

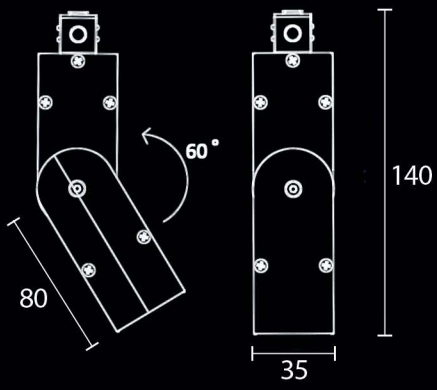
Magnetar  
**LINEAR**

Magnetar  
**PENDANT**

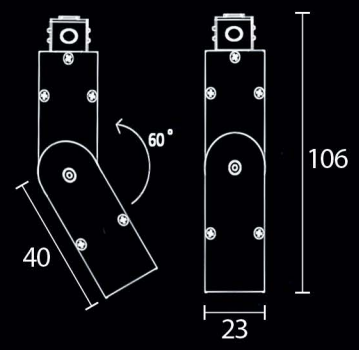
Magnetar  
**SPOT**



4cm Rail



2cm Rail





Magnetar

# ANGLE DOT



Available For  
**< 4cm/2cm Rail >**

Dimensions: 270 x 35 x 140 mm  
 Total power: 12 w  
 Luminaire luminous flux: 1320 lm  
 Luminaire efficacy: 110 lm/w  
 Colour temperature: 6000–3000 K  
 Color body: Black  
 LED: OSRAM

**NEW**

Dimensions: 330 x 23 x 106 mm  
 Total power: 12 w  
 Luminaire luminous flux: 1320 lm  
 Luminaire efficacy: 110 lm/w  
 Colour temperature: 6000–3000 K  
 Color body: Black  
 LED: OSRAM

LED_Low voltage family	IP44	IK05			T <sub>a</sub> 25	5		-	-	
------------------------	------	------	--	--	-------------------	---	--	---	---	--



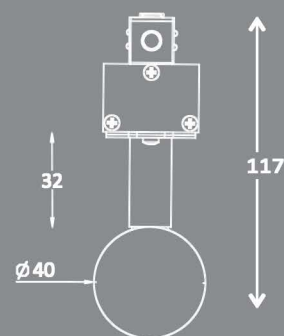


# Magnetar TUBE



Available For  
**4cm Rail**

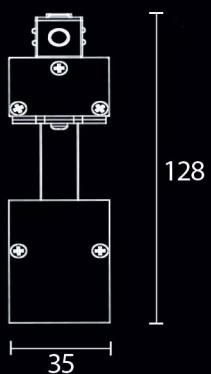
Dimensions: 400 x Ø40 mm  
 Total power: 12 w  
 Luminaire luminous flux: 1200 lm  
 Luminaire efficacy: 100 lm/w  
 Colour temperature: 6000–3000 K  
 Color body: Black  
 LED: OSRAM



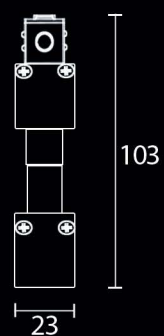
LED_Low voltage family	IP44	IK08			T <sub>a</sub> 25	5		-	-	
------------------------	------	------	--	--	-------------------	---	--	---	---	--



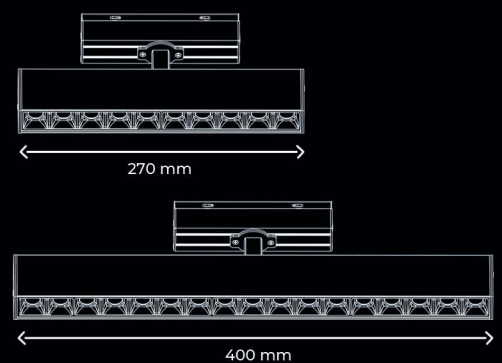
4cm Rail



2cm Rail



Module Length







Magnetar

# ROTATE DOT



Available For  
**< 4cm/2cm Rail >**

Dimensions: 270 x 35 x 128 mm  
 Total power: 12 w  
 Luminaire luminous flux: 1200 lm  
 Luminaire efficacy: 100 lm/w  
 Colour temperature: 3000-6000 K  
 Color body: Black  
 IP44  
 LED: OSRAM

**NEW**

Dimensions: 320 x 23 x 103 mm  
 Total power: 18 w  
 Luminaire luminous flux: 1320 lm  
 Luminaire efficacy: 110 lm/w  
 Colour temperature: 3000-6000 K  
 Color body: Black  
 IP44  
 LED: OSRAM

LED_Low voltage family	IP44	IK05			T <sub>a</sub> 25	5			-	
------------------------	------	------	--	--	-------------------	---	--	--	---	--





Magnetar

# ROTATE LINEAR



Available For  
**< 4cm/2cm Rail >**

Dimensions: 40 x 35 x 128 mm  
 Total power: 12 w  
 Luminaire luminous flux: 1200 lm  
 Luminaire efficacy: 100 lm/w  
 Colour temperature: 3000-6000 K  
 Color body: Black  
 IP44  
 LED: OSRAM

**NEW**

Dimensions: 40 x 23 x 103 mm  
 Total power: 8 w  
 Luminaire luminous flux: 1320 lm  
 Luminaire efficacy: 110 lm/w  
 Colour temperature: 6000-3000 K  
 Color body: Black  
 IP44  
 LED: OSRAM

LED\_Low voltage family

IP44

IK05

T<sub>a</sub>25

-

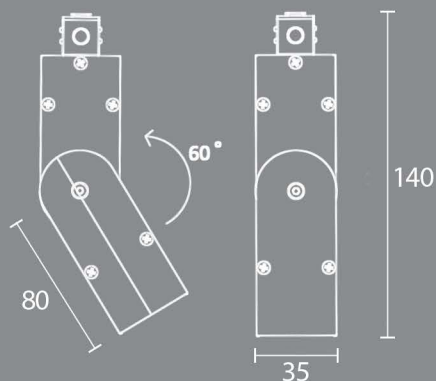




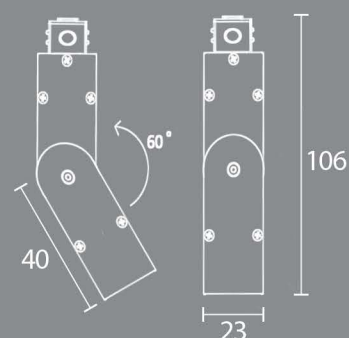
# Magnetar ANGLE LINEAR



Available For  
**◀ 4cm/2cm Rail ▶**



Dimensions: 400 x 35 x 140 mm  
 Total power: 12 w  
 Luminaire luminous flux: 1200 lm  
 Luminaire efficacy: 100 lm/w  
 Colour temperature: 6000–3000 K  
 Color body: Black  
 LED: OSRAM



**NEW**

Dimensions: 400 x 23 x 106 mm  
 Total power: 8 w  
 Luminaire luminous flux: 800 lm  
 Luminaire efficacy: 100 lm/w  
 Colour temperature: 3000–6000 K  
 Color body: Black  
 LED: OSRAM

LED_Low voltage family	IP44	IK05			T <sub>a</sub> 25	5		-	-	
------------------------	------	------	--	--	-------------------	---	--	---	---	--





# Magnetar

# SPOT

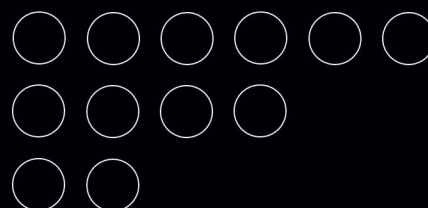
# LINEAR



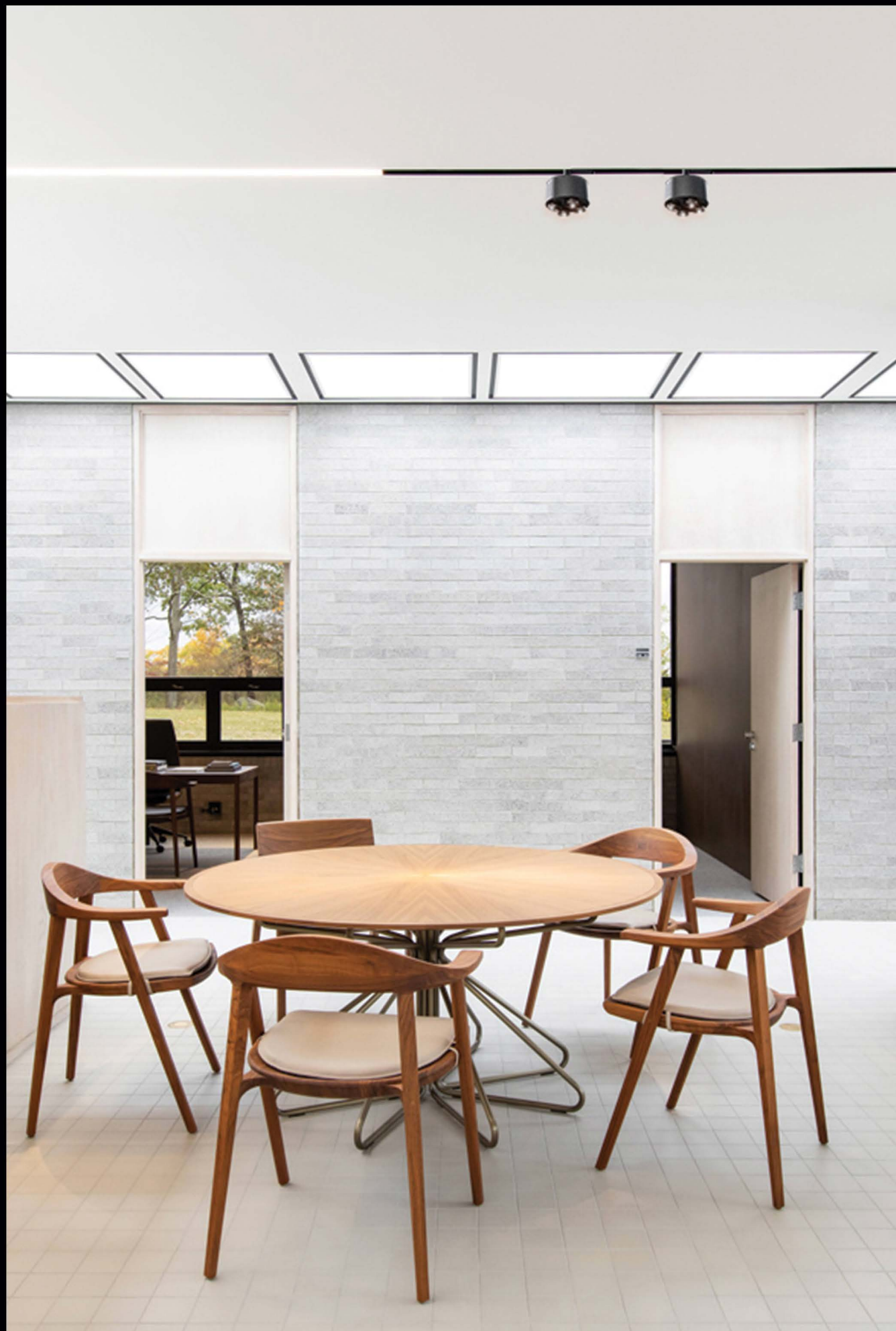
Available For  
**4cm Rail**

Dimensions: 265 x 35 x 75 cm  
 Total power: 18 w  
 Colour temperature: 3000-6000 K  
 Color body: Black  
 IP20 (Higher IP is customized)  
 LED: OSRAM

Dots option



LED_Low voltage family	IP20	IK05			T <sub>a</sub> 25	5		-	-	
------------------------	------	------	--	--	-------------------	---	--	---	---	--





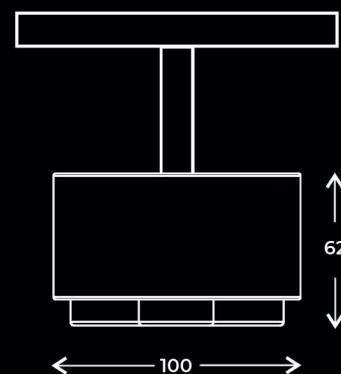


# Magnetar SPOT CIRCLE



Available For  
**4cm Rail**

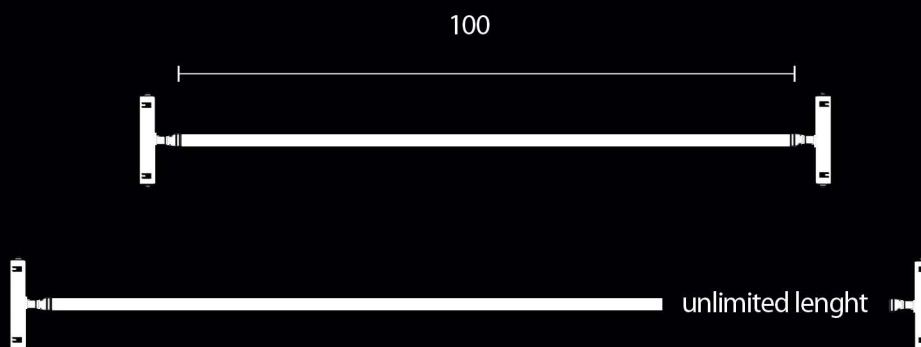
Dimensions: Ø10 x 13 cm  
 Total power: 12 w  
 Colour temperature: 6000–3000 K  
 Color body: Black  
 IP20 (Higher IP is customized)  
 LED: OSRAM



LED_Low voltage family	IP20	IK05			T <sub>a</sub> 25	5		-	-	
------------------------	------	------	--	--	-------------------	---	--	---	---	--

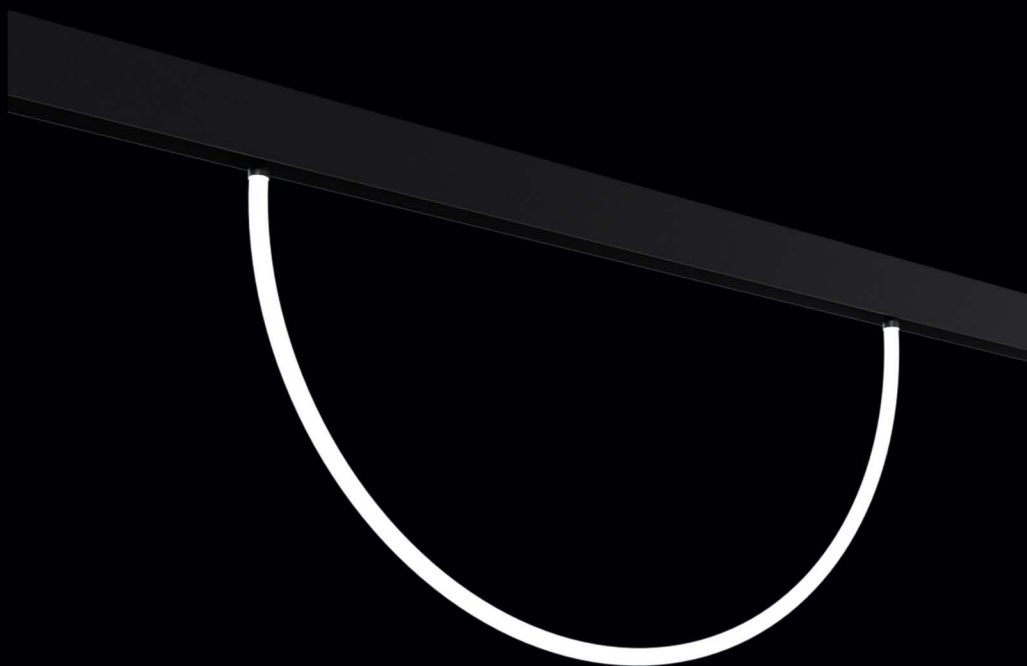


Module Length





Magnetar  
**FLEX**  
 NEW



Available For  
**< 4cm/2cm Rail >**

Dimensions: Ø2.1 x 100 cm

Total power: 13 w

Colour temperature: 6000–3000 K

Color body: Black

LED: OSRAM

LED_Low voltage family	IP20	IK05			T <sub>a</sub> 25	5		-	-	
------------------------	------	------	--	--	-------------------	---	--	---	---	--





# Magnetar

# RING

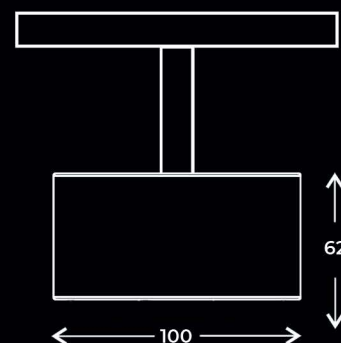
# SPOT

**NEW**



Available For  
**4cm Rail**

Dimensions: Ø10 x 13 cm  
 Total power: 12 w  
 Colour temperature: 6000–3000 K  
 Color body: Black  
 LED: OSRAM



LED_Low voltage family	IP20	IK05			T <sub>a</sub> 25	5		-	-	
------------------------	------	------	--	--	-------------------	---	--	---	---	--





# Magnetar

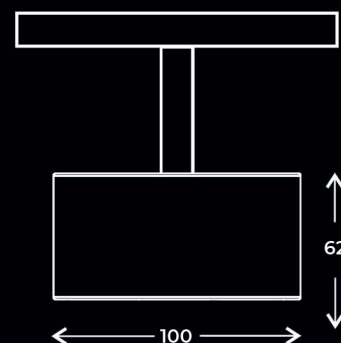
# CIRCLE

NEW



Available For  
**4cm Rail**

Dimensions: Ø10 x 13 cm  
 Total power: 12 w  
 Colour temperature: 6000–3000 K  
 Color body: Black  
 IP20 (Higher IP is customized)  
 LED: OSRAM

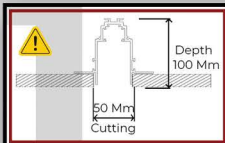
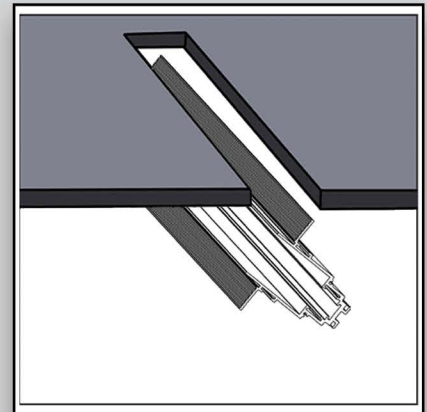
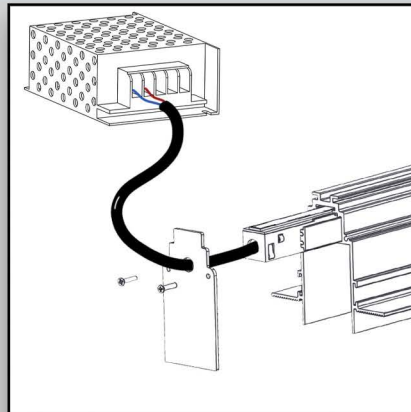
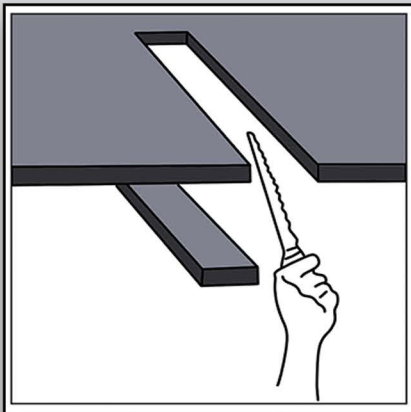


LED_Low voltage family	IP20	IK05			T <sub>a</sub> 25	5		-	-	
------------------------	------	------	--	--	-------------------	---	--	---	---	--



# INSTALLATION

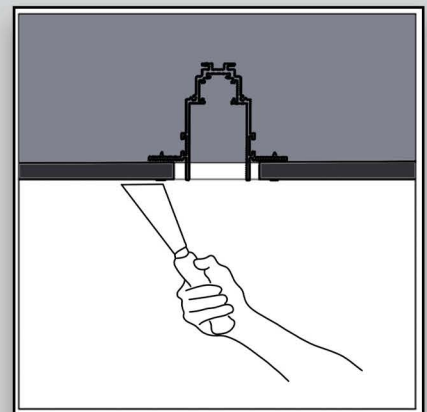
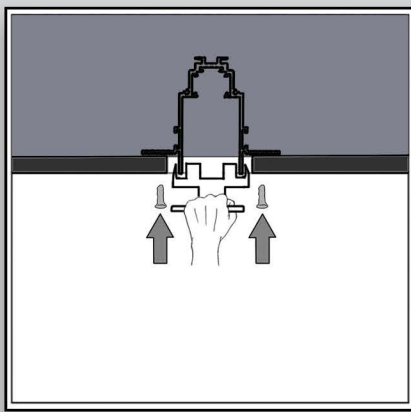
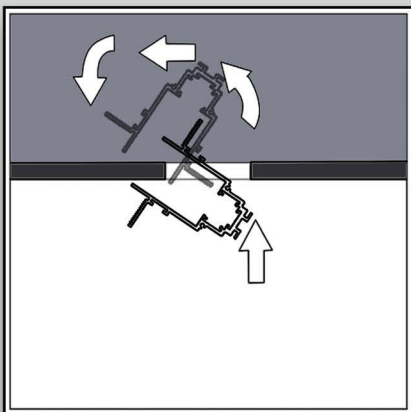
## Instructions



Making a cutting line in ceiling According to the width and The length of the roof rails

2 Connect the power from the driver to the rails adapter

3 troughing the rail at roof gap by change the angle of it

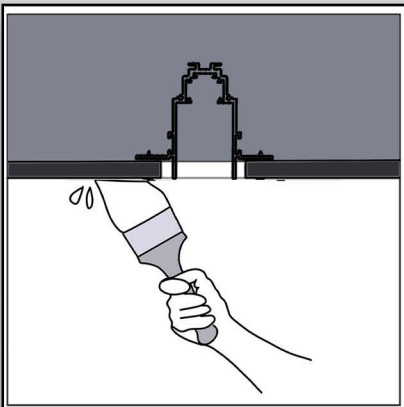
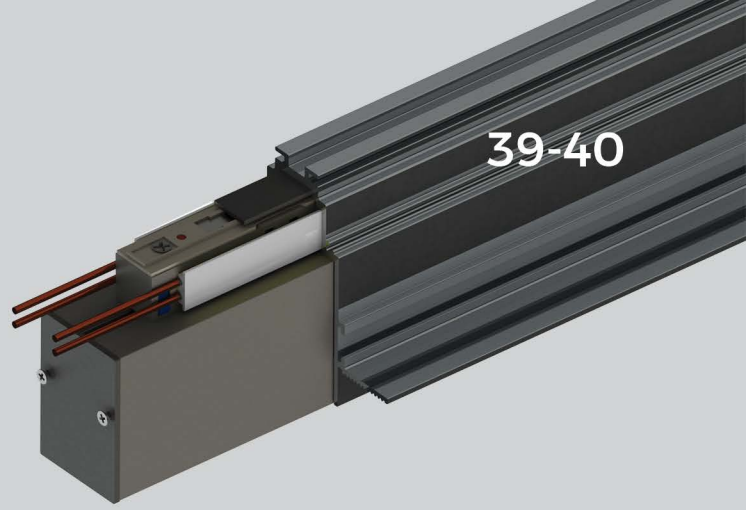


4 Place the edge of the rail on the ceiling

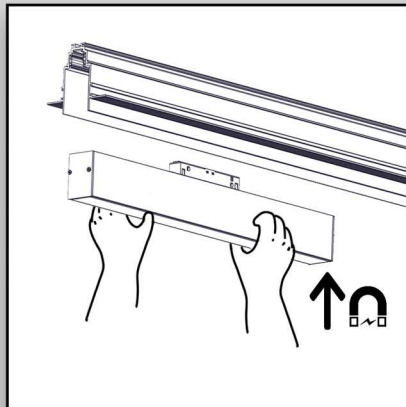
5 keep down the rail with special handle and screw the rail to the ceiling

6 Priming on top of the screws

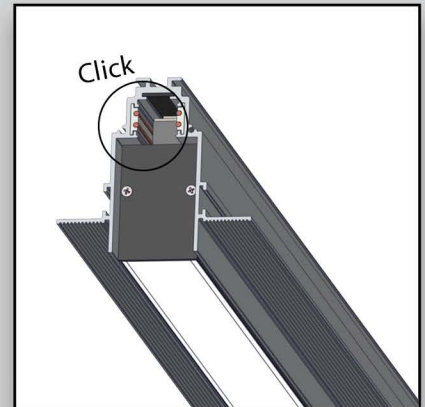




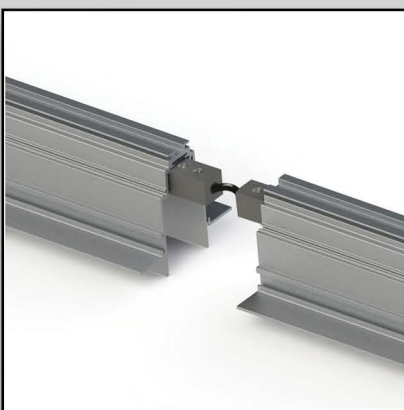
7  
Paint over the priming



8  
no tools are needed to install the light. simply just place it in the rail



make sure that the light completely connected into rail by hearing the <CLICK> sounds



10  
in case of connect multiple rail, use the electrical part accessories



11  
and for align the rail to each other, use guide connection part



